

Mascot 40 H-B

Electro-hydraulic 2-post lift, 4.0 t capacity



Application

- Repair and maintenance

Description:

Posts:

- Symmetrically positioned
- Very stable bent posts
- Hydraulic pump unit
- Double door-stop
- Carriage with slide blocks
- Pushbutton control unit with alarm signal
- Mechanic synchronization
- Electrical safety ratchet system (expensive compressed air not required)
- Low column height, particularly suitable for low ceilings

Arms:

- Double telescopic front and rear arms
- Automatic arm locking system
- Low minimum height
- Suitable for the smallest passenger cars up to T6 long

Standard colours:

- Arms: RAL 3020 – red
- Posts: RAL 7016 – grey

Optional extras:

- Set of expansion bolts
- A large program of lifting pads
- Adaptor for AUTOPSTENHOJ pads
- Self-supporting base frame for unfavourable ground conditions

Special colours available on request!



Scan the QR-Code for detailed product information.

Further Information on www.autopstenhoj.com

AUTOPSTENHOJ GmbH

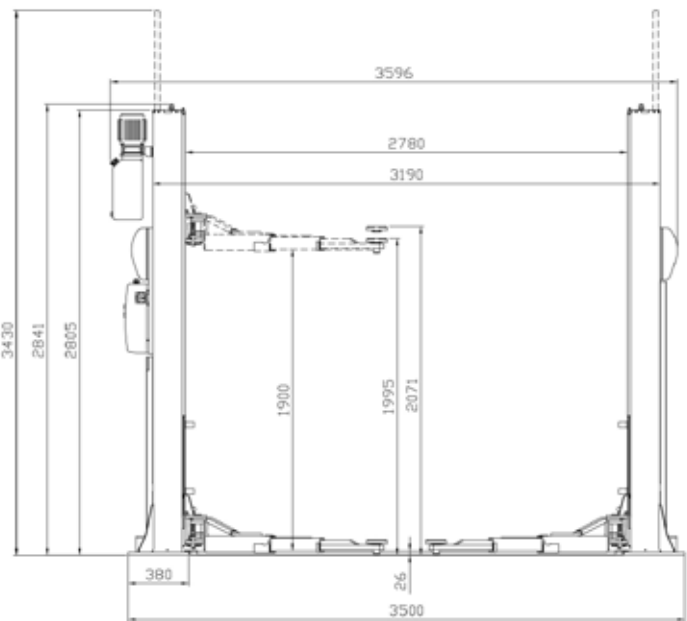
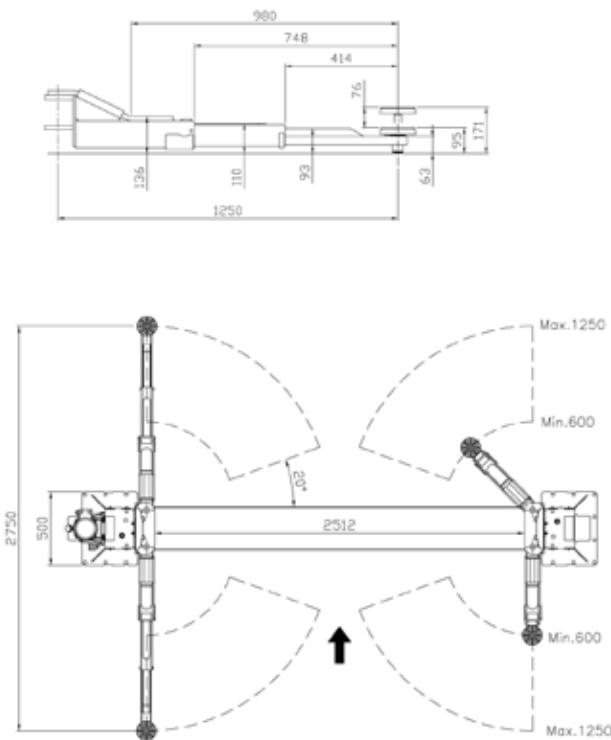
Sandkampstraße 90
D-48432 Rheine
☎ +49 5971 8602-02
✉ info@autopstenhoj.com

AUTOPSTENHOJ GmbH

Barrit Langgade 188-190
DK-7150 Barrit
☎ +45 76 82 13 30
✉ info@autopstenhoj.com

Technical data	
Lifting capacity	4,000 kg
Lifting height	1,900 mm
Working height	1,995 – 2,071 mm
Lifting / lowering time	approx. 30 sec.
Motor	3.0 kW
Voltage	3x230 / 400 V-50 / 60Hz – 16 A

Arm superstructure	
Lifting pad included in the delivery	F: 95 - 171 mm
Min. height	95 mm
Drive-through width	2,512 mm
Width between posts	2,780 mm
Total width - outer edges base plates	3,500 mm
Total height post	2,841 / 3,430 mm
Arm length front, min. - max.	F: 600 - 1,250 mm
Arm length rear, min. - max.	F: 600 - 1,250 mm



Double telescopic arms



Arm locking system and door stop protection



Pushbutton control with possibility to park in safety ratchets